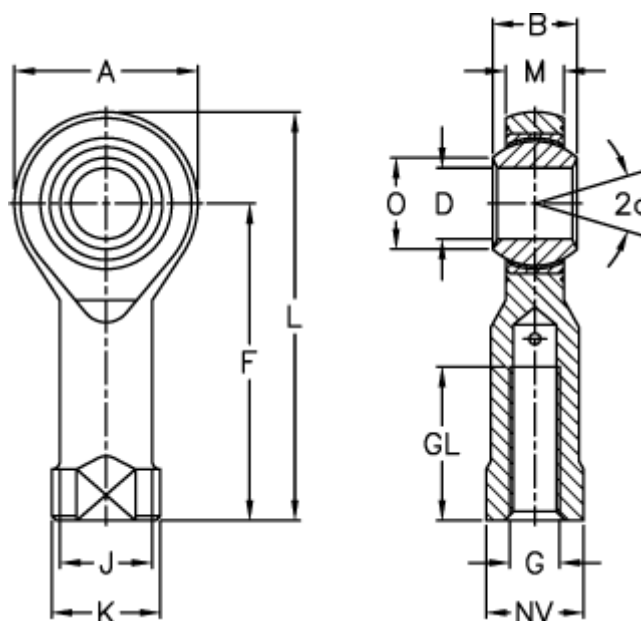


Article number: 03013005C
 Description: Fluro Rod End 5
 Housing stainless steel

Measures



A	= 18	J	= 9	Weight (g) = 18
a (degrees)	= 13	K	= 11	
B	= 8	L	= 36	
D	= 5	M	= 6	
Dynamic load C (kN)	= 7.5	NV	= 9	
F	= 27	O	= 7.7	
G	= M5	Permissible rpm	= 600	
GL	= 10	Static load C0 (kN)	= 11.8	